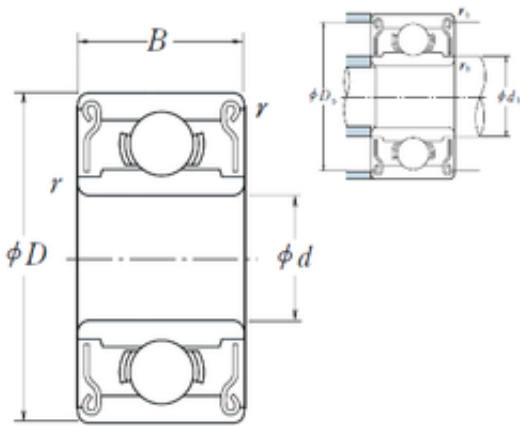




KBJ Hydraulic Pump Technology Co., Ltd.

12,7 mm x 28,575 mm x 7,9375 mm NSK R8ZZ
JAPAN Bearing 12.7*28.58*7.94

Bearing No. R8ZZ



R8ZZ Bearing 2D drawings and 3D CAD models

Size	12.7x28.575x7.9375 mm
Bore Diameter	12,7 mm
Outer Diameter	28,575 mm
Width	7,9375 mm
d	12,7 mm
D	28,575 mm
B	7,9375 mm
C	7,9375 mm
r min.	0,4 mm
Weight	0,023 Kg
Basic dynamic load rating (C)	5,13668036448097 kN
Basic static load rating (C0)	2,40307307486153 kN
Category	Single Row Ball Bearings
Inventory	0.0
Manufacturer Name	NSK
Minimum Buy Quantity	N/A
Weight / Kilogram	0.02
EAN	0029176003707
Product Group	B00308
Enclosure	2 Metal Shields
Precision Class	ABEC 1 ISO P0
Maximum Capacity / Filling Slot	No
Rolling Element	Ball Bearing
Snap Ring	No



KBJ Hydraulic Pump Technology Co., Ltd.

Internal Special Features	No
Cage Material	Steel
Internal Clearance	C0-Medium
Inch - Metric	Inch
Long Description	1/2" Bore; 1-1/8" Outside Diameter; 5/16" Outer Race Width; 2 Metal Shields; Ball Bearing; ABEC 1 ISO P0; No Filling Slot; No Snap Ring; No Internal Special Features
Category	Single Row Ball Bearing
UNSPSC	31171504
Harmonized Tariff Code	8482.10.50.68
Noun	Bearing
Keyword String	Ball
Manufacturer URL	http://www.nskamericas.com
Manufacturer Item Number	R8ZZ
Weight / LBS	0.05
Bore	0.5 Inch 12.7 Millimeter
Outer Race Width	0.313 Inch 7.95 Millimeter
Outside Diameter	1.125 Inch 28.575 Millimeter
bore diameter:	0.5000 in
dynamic load capacity:	1150 lb
outside diameter:	1.1250 in
static load capacity:	538 lbs
overall width:	0.3125 in
precision rating:	Not Rated
bore type:	Round
finish/coating:	Uncoated
closure type:	Double Shielded
cage material:	Steel
row type & fill slot:	Single Row Non-Fill Slot



KBJ Hydraulic Pump Technology Co., Ltd.

outer ring width:	5/16 in
snap ring included:	Without Snap Ring
fillet radius:	0.4 mm
internal clearance:	C0
maximum rpm:	32000 RPM
operating temperature range:	-10 to +110 ° C
series:	R