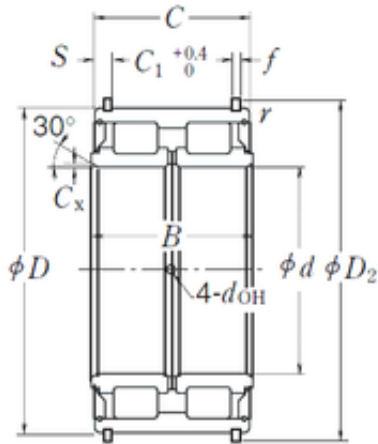




KBJ Hydraulic Pump Technology Co., Ltd.



110 mm x 170 mm x 80 mm NSK RS-5022NR
JAPAN Bearing 110*170*80

Bearing No. RS-5022NR

Size	110x170x80 mm
Bore Diameter	110 mm
Outer Diameter	170 mm
Width	80 mm
d	110 mm
D	170 mm
B	80 mm
C	79 mm
f	2,5 mm
r min.	1 mm
C1	65 mm
D2	175,4 mm
S	7 mm
C2	1,1 mm
Weight	6,1 Kg
Basic dynamic load rating (C)	385 kN
Basic static load rating (C0)	695 kN
hidYobi	RS-5022NR
LangID	1
D_	170
B_	80
hidTable	ecat_NSCLDRSG
Cx	1.1
mass	6.1
GRS rpm	900

RS-5022NR Bearing 2D drawings and 3D CAD models



KBJ Hydraulic Pump Technology Co., Ltd.

da_min	116.5
C0	695
DE_	154.5
Prod_Type3	CRB_FRFS_PT_WLR
dx_min	183.5
DA_	15
Z_	29
r_min	1
yobi	RS-5022NR
SDM_	139.5
r	79
KBRG	4220
DI_	124.5
doh	5